

CONNERTON

American Made Since 1936

Model CSP Stock Pot Stove

Date:

Project:

Quantity:



CSP-18-3S Short Body



CSP-18-3 Standard Body

90,000 BTU

Welded #304 Stainless Steel

For easy cleaning and long life

Fully Welded Legs

#304 stainless steel legs welded to frame



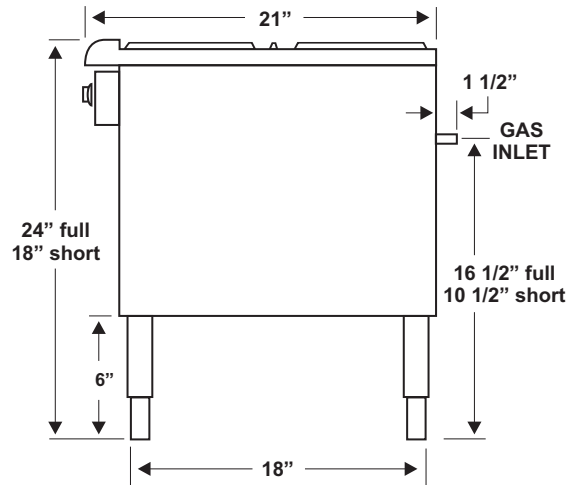
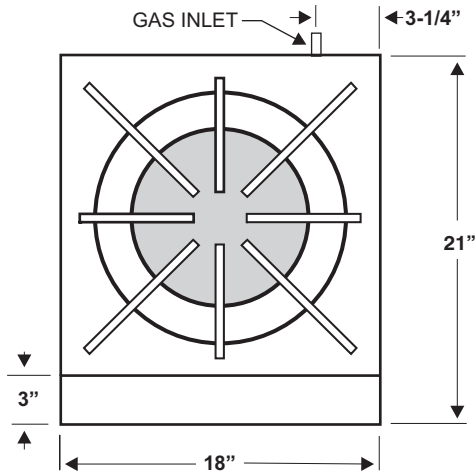
The Connerton Company

1131 E. Wakeham Avenue, Santa Ana, CA 92705-4145

Telephone: (714) 547-9218 Fax: (714) 547-1969

www.connertoncompany.com

Model CSP Stock Pot Stove



| Model | Width | Depth | Height | BTU | Burner | Wt. (Est.)* |
|-----------|-------|---------|--------|--------|--------|-------------|
| CSP-18-3 | 18" | 20-1/2" | 24" | 90,000 | 3-ring | 105 |
| CSP-18-3S | 18" | 20-1/2" | 18" | 90,000 | 3-ring | 100 |

*Note: Weight estimates are uncrated

Product Specifications:

| | |
|----------------------|--|
| Body: | 18 Gauge #304 Stainless Steel, Fully Welded |
| Front: | Removable 18 Gauge #304 Stainless Steel Panel |
| Grate: | Heavy Duty Painted Cast Iron w/ "Center-Slope" hole |
| Burners: | 3-ring 90,000 BTU (total) Cast Iron |
| Drip Pan: | 18 Gauge #304 Stainless Steel |
| Valves: | Heavy Duty Brass |
| Gas Inlet: | 3/4 NPT |
| Gas Pressure: | 4.0" Natural, 11.0" Propane (Inches Water Column) |
| Legs: | 1-5/8" rd. X 16 Gauge #304 Stainless Steel tubing welded to frame with Stainless Steel undershelf and adjustable feet. |

Available Options:

- Stainless Steel Wok Adapter Ring

Notes:

Gas Pressure Regulator is supplied and must be installed
 Non-Combustible Locations Only: 0" Clearance sides and back
 Specify type of gas and altitude if over 2,000 feet

Connerton Company reserves the right, without notice, to make changes and revisions in product specifications, materials and design, which in our opinion will provide better performance, durability and efficiency.

The Connerton Company

Telephone: (714) 547-9218

Fax: (714) 547-1969